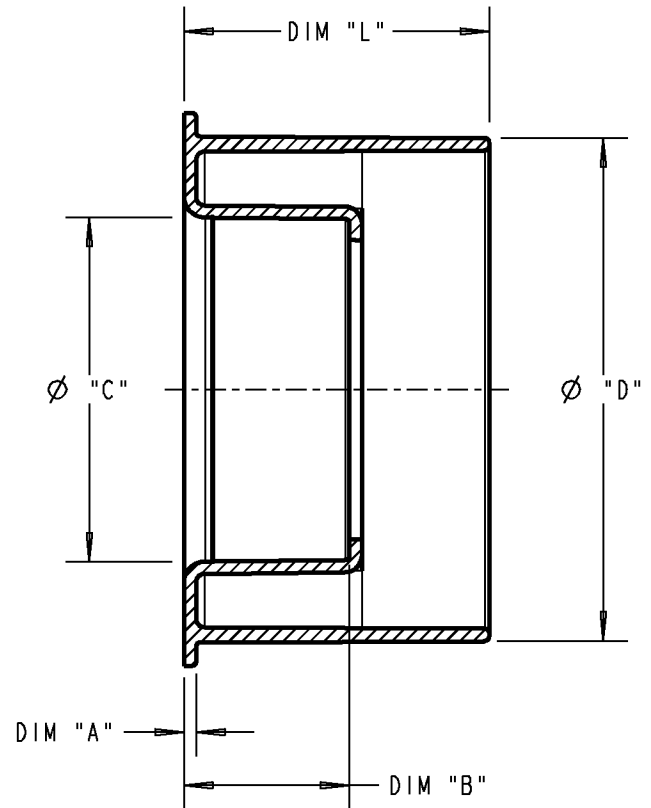
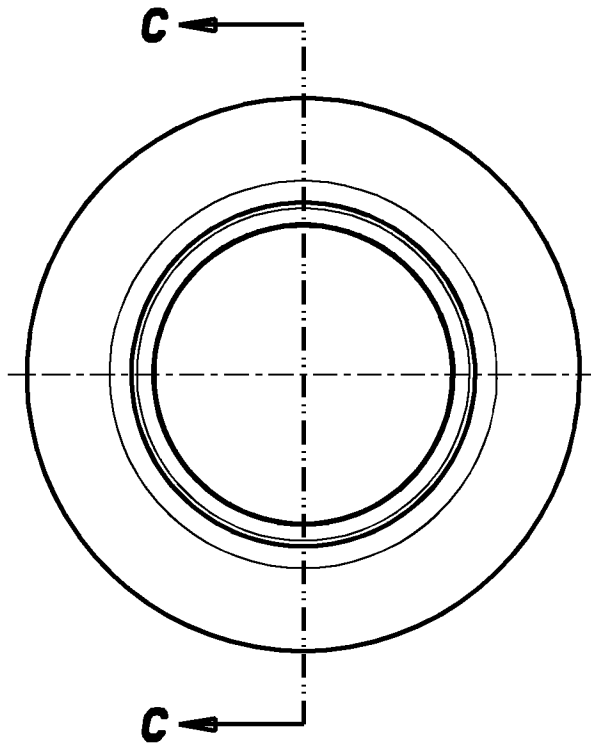


Carlton®



SECTION **C-C**
SCALE 0.750

PART NO.	SIZE	DIM "L"	DIM "A"	DIM "B"	ϕ "C"	ϕ "D"
E950KJ-CAR	2-1/2 X 2	2.13 [54.1]	.36 [9.1]	1.53 [38.8]	2.39 [60.7]	2.78 [70.6]
E950LJ-CAR E950LJL	3 X 2	2.12 [53.8]	.09 [2.3]	1.15 [29.2]	2.39 [60.7]	3.50 [88.9]
E950LK	3 X 2-1/2	2.12 [53.8]	.06 [1.5]	1.50 [38.1]	2.89 [73.4]	3.50 [88.9]
E950NL	4 X 3	2.73 [69.3]	.34 [8.6]	1.97 [50.0]	3.50 [88.9]	4.50 [114.3]

GENERAL NOTES

1. ALL DIMENSIONS ARE FOR REFERENCE ONLY.
2. DIMENSIONS IN BRACKETS [] ARE IN METRIC UNITS.

REVISIONS

F SEE ERN 2018258
FOR APPROVAL SIGNATURES
& RELEASE DATE.
PROJECT NO: 5AM000012

Thomas & Betts
www.tnb.com

DESCRIPTION:

REDUCER BUSHINGS

ORIGINAL PROJECT NO / (ERN NO)

/ ()

SHEET NO:

3 OF 3

REV. NO:

F

DRAWING NO:

WSD-AC03010